

# ProLink Vibration Module

## Connection overview

### 1 General safety information

- Read this document carefully before setting up the Schaeffler ProLink device. Keep the document during the entire service life of the device.
- Adhere to the operating instructions and the technical data. Otherwise personal injury or damage to property may occur.
- The device must be suitable for the planned applications and for the environmental conditions without any restrictions.
- Only use the device for its intended purpose (see **Functions**).
- The manufacturer assumes no liability and warranty for any consequences caused by incorrect use of the device.
- The device must be installed and electrically connected, set up, operated, and maintained by qualified and authorised specialists.
- Protect the device units and cables against damage.

### 2 Functions

The ProLink vibration module offers 4 analogue inputs, 2 digital inputs and 4 switching outputs. Measurement data is transferred to the CPU module via the internal ProLink communication interface.

#### Electrostatic discharge

The device contains components that can be damaged or destroyed by electrostatic discharge. To safely avoid electrostatic discharge, you must operate the device on a grounded mounting rail. When handling the device observe the required safety precautions against electrostatic discharge (ESD) in accordance with EN 61340-5-1 and IEC 61340-5-1.

#### Contact voltages and ambient conditions

Mount the device in a control cabinet to protect it from dangerous contact voltages and ambient conditions. The installation of the control cabinet must be in accordance with local and national regulations.

### 3 Installing the device

1. Ensure that the device is disconnected from power.
2. Mount the device vertically in a control cabinet on a 35 mm DIN mounting rail.
3. Leave enough space between the device and the top and bottom of the control cabinet to ensure good ventilation.

### 4 Connecting the power supply

#### Electrical connection

The device must be connected by a qualified electrician. The local and national regulations for the installation of electrical devices must be adhered to.

1. Connect the VDC power supply unit to the power supply connection.
2. Connect the power supply connection of the device to the connection of the next module.

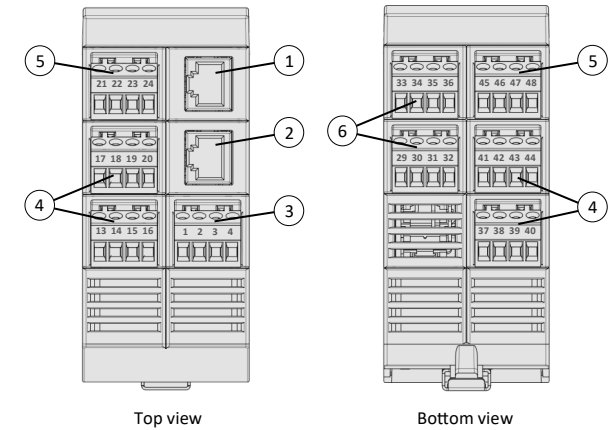
Please note the maximum cable length of 3 meters. See also the illustrations in **Connections** and **Wiring**.

### 5 Connecting the modules

1. Use the supplied network cable to connect the RJ45 connection of the CPU module with the RJ45 connection of the first vibration module.
2. Connect all other vibration modules likewise.

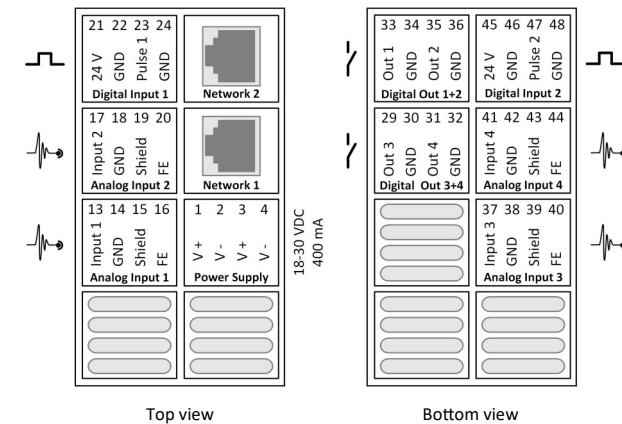
See also the illustrations in **Connections** and **Wiring**.

### 6 Connections



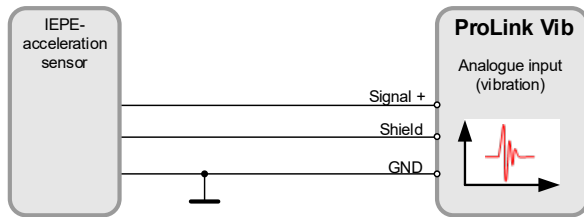
- (1) Ethernet 2 (internal ProLink communication)
- (2) Ethernet 1 (internal ProLink communication)
- (3) Power supply connection
- (4) Analogue inputs 1 to 4
- (5) Digital inputs 1 to 2
- (6) Digital switching outputs 1 to 4

### 7 Wiring



Top view Bottom view

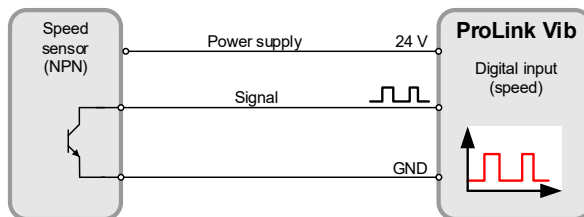
## 8 Connecting the acceleration sensor



	IEPE +	GND	GND	Shield FE
Analog In 1	13	14	15	16
Analog In 2	17	18	19	20
Analog In 3	37	38	39	40
Analog In 4	41	42	43	44

In the software Schaeffler SmartWeb, enable the sensor type **IEPE** for every single sensor.

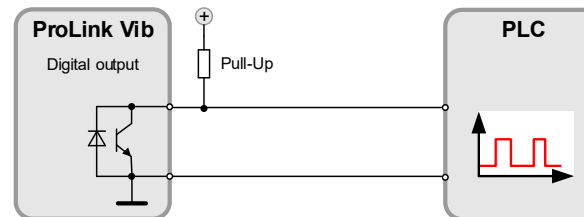
## 9 Connecting the speed sensor



	24 V	GND	Signal	GND
Digital In 1	21	22	23	24
Digital In 2	45	46	47	48

Max. current consumption per sensor: 25 mA at 24 VDC  
Please use a shielded cable.

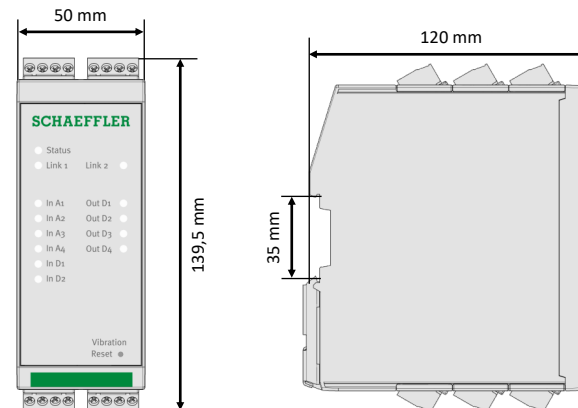
## 10 Connecting the switching output



	Open Collector	GND
Digital Out 1	33	34
Digital Out 2	35	36
Digital Out 3	29	30
Digital Out 4	31	32

Max. switching current: 500 mA per output  
Voltage range: 5 - 30 VDC  
Please use a shielded cable.

## 11 Dimensions



## Further information

This connection overview contains all the information required for installation, connection, and operation. For further information on the Schaeffler ProLink device or the Schaeffler SmartWeb software please refer to the respective manual of the same name. The current edition of the manuals can be downloaded here:  
[www.schaeffler.de/en/condition-monitoring/prolink](http://www.schaeffler.de/en/condition-monitoring/prolink)

All details have been carefully compiled and checked. However, we can accept no liability for potential errors or omissions. We reserve the right to make technical modifications.

© Schaeffler Monitoring Services GmbH  
Version 1.2, Edition: June 2020

Reprinting, including excerpts, only with our permission.

**Schaeffler Monitoring Services GmbH**  
Kaiserstraße 100  
52134 Herzogenrath  
Germany

Phone: +49 (0) 2407 9149-66  
Fax: +49 (0) 2407 9149-59  
Support: +49 (0) 2407 9149-99  
Email: [support-is@schaeffler.com](mailto:support-is@schaeffler.com)  
Internet: [www.schaeffler.de/en/services](http://www.schaeffler.de/en/services)