



We pioneer motion

## FAG SuperTAC II™ Seals

### **Virtually Impenetrable Protection**

Choosing the right seal arrangement to protect against contamination is often the most important consideration when selecting a bearing and housing assembly. Thanks to Schaeffler's FAG SuperTAC II Taconite Seals, this crucial decision is now a no-brainer.

Featuring a non-contact seal design that eliminates shaft wear, exceptional high-speed capabilities as well as the ability to accept greater misalignments than lip seals, FAG SuperTAC II Taconite Seals from Schaeffler will help keep your machine downtime to a minimum.

**SCHAEFFLER**

# FAG SuperTAC II Seals

## Ultimate protection

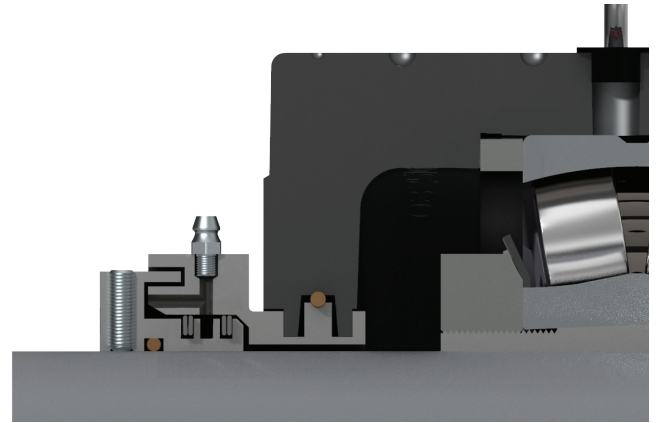
FAG SuperTAC II taconite seals from Schaeffler feature a radial-axial web that protects against external contaminants. A grease-packed radial labyrinth is formed by high-grade spring steel laminar rings that converge into two closely aligned barriers. Working in concert with the grease-purged axial labyrinth, the result is a seal that provides virtually impenetrable protection.

## Features

- Manufactured from high-grade steel
- Durotect® BS (black oxide) coating as standard
- Non-contact seal design
- Maximum grip to the shaft surface is ensured by a seal flinger that is secured to the shaft with two set screws spaced at a 65° interval
- O-ring in the flinger bore prevents the ingress of fluids between the seal and shaft
- Solid and split designs available
- Inch and metric sizes available

## Benefits

- Fits directly into the labyrinth seal grooves of standard SAF-series housings
- Eliminates shaft wear common to competitors' designs
- Accepts greater misalignments than contact lip seals
- Offers exceptional speed characteristics equivalent to bearing speed limits
- Provides excellent corrosion resistance



## Industries

- Mineral processing
- Mining
- Cement
- Pulp & Paper
- Metals

## Typical applications

- Conveyor pulleys
- Bucket elevators
- Fans
- Grinding mill pinion housings
- Hoists

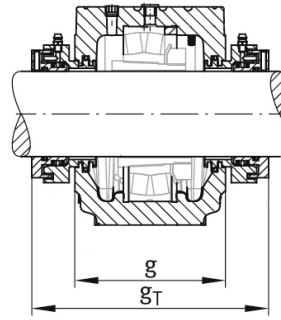
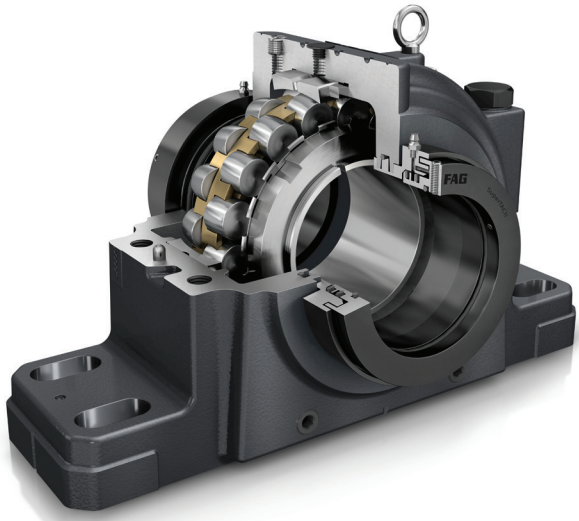


## Filling and grease purging

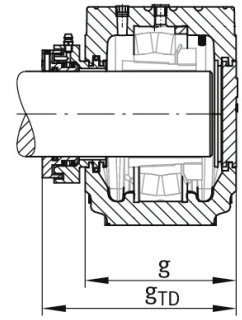
Every FAG SuperTAC II taconite seal is supplied with a grease fitting for regreasing the labyrinth, which purges the labyrinth of contamination and helps block the ingress of any new contaminants.

FAG SuperTAC II taconite seals offer three convenient regreasing options:

- Manual – using a grease gun
- Automatic – using Schaeffler's FAG CONCEPT1™ single-point automatic lubricator
- Automatic – using Schaeffler's FAG CONCEPT8™ multi-point lubrication system



Taconite seal TA



Taconite seal TA  
End cover EC

Housing Size	Shaft Dia. inch	SuperTAC II Seal	g inch	g <sub>T</sub> inch	g <sub>TD</sub> inch
SAF509	1 7/16	TA17X0107	3 7/16	5.90	4.70
SAF510	1 11/16	TA20X0111	3 7/16	5.85	4.65
SAF511	1 15/16	TA24X0115	3 3/4	6.35	5.05
SAF513	2 3/16	TA29X0203	4 1/4	6.90	5.60
SAF515	2 7/16	TA37X0207	4 5/8	7.35	6.00
SAF516	2 11/16	TA44X0211	4 3/4	7.45	6.15
SAF517	2 15/16	TA53X0215	4 13/16	7.70	6.30
SAF518	3 3/16	TA188X0303	5 1/2	7.95	6.75
SAF520	3 7/16	TA102X0307	5 4/5	8.95	7.45
SAF522	3 15/16	TA109X0315	6 7/16	9.45	7.95
SAF524	4 3/16	TA113X0403	7 1/8	10.20	8.65
SAF526	4 7/16	TA117X0407	7 3/4	11.25	9.50
SAF528	4 15/16	TA122X0415	7 3/8	10.85	9.10
SAF530	5 3/16	TA125X0503	8 1/8	11.85	10.00
SAF532	5 7/16	TA130X0507	8 1/2	12.15	10.35
SAF534	5 15/16	TA140X0515	9 1/4	13.15	11.20
SAF536	6 7/16	TA148X0607	9 5/8	13.55	11.60
SAF538	6 15/16	TA155X0615	10 1/2	14.55	12.50
SAF540	7 3/16	TA159X0703	11	15.30	13.15
SAF544	7 15/16	TA167X0715	11 3/4	16.10	13.90

Housing Size	Shaft Dia. mm	SuperTAC II Seal	g inch	g <sub>T</sub> inch	g <sub>TD</sub> inch
SAF509	40	TA17XM40	3 7/16	5.90	4.70
SAF510	45	TA20XM45	3 7/16	5.85	4.65
SAF511	50	TA24XM50	3 3/4	6.35	5.05
SAF513	60	TA29XM60	4 1/4	6.90	5.60
SAF515	65	TA37XM65	4 5/8	7.35	6.00
SAF516	70	TA44XM70	4 3/4	7.45	6.15
SAF517	75	TA53XM75	4 13/16	7.70	6.30
SAF518	80	TA188XM80	5 1/2	7.95	6.75
SAF520	90	TA102XM90	5 4/5	8.95	7.45
SAF522	100	TA109XM100	6 7/16	9.45	7.95
SAF524	110	TA113XM110	7 1/8	10.20	8.65
SAF526	115	TA117XM115	7 3/4	11.25	9.50
SAF528	125	TA122XM125	7 3/8	10.85	9.10
SAF530	135	TA125XM135	8 1/8	11.85	10.00
SAF532	140	TA130XM140	8 1/2	12.15	10.35
SAF534	150	TA140XM150	9 1/4	13.15	11.20
SAF536	160	TA148XM160	9 5/8	13.55	11.60
SAF538	170	TA155XM170	10 1/2	14.55	12.50
SAF540	180	TA159XM180	11	15.30	13.15
SAF544	200	TA167XM200	11 3/4	16.10	13.90

## Ordering designation

